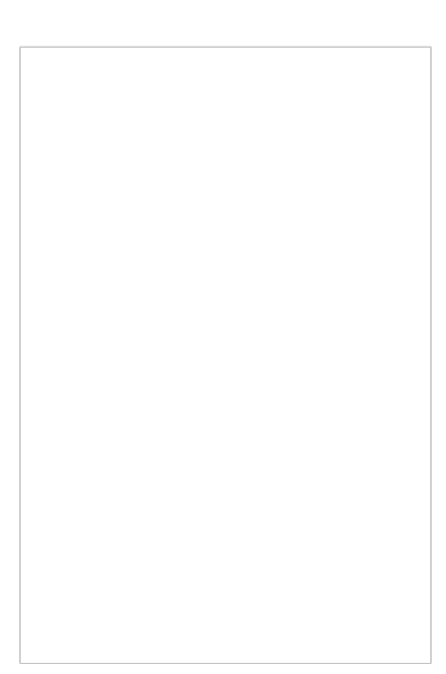
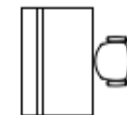
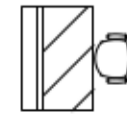
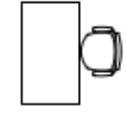


DO NOT SCALE ANY DIMENSIONS OFF THIS DRAWING. ANY DISCREPANCIES BETWEEN THIS DRAWING AND OTHER INFORMATION ARE TO BE REFERRED TO MCM ARCHITECTURE LIMITED. WHERE THE DRAWING RELATES TO AN EXISTING BUILDING OR COMPLETED CONSTRUCTION THE CONTRACTOR IS RESPONSIBLE FOR CHECKING THAT THERE IS NO CONFLICT BETWEEN ACTUAL BUILDING DIMENSIONS AND DRAWING DIMENSIONS. IN THE EVENT OF DISCREPANCIES BETWEEN THIS DRAWING AND SUBCONTRACTOR'S APPROVED WORKING DRAWINGS FOR RELEVANT BUILDING COMPONENTS, THE SUBCONTRACTOR'S DRAWING SHALL TAKE PRECEDENCE. ANY CONFLICTS ARISING OUT OF INFORMATION AS NOTED ABOVE MUST BE REPORTED IMMEDIATELY TO MCM ARCHITECTURE LIMITED. THIS DRAWING IS THE COPYRIGHT OF MCM ARCHITECTURE LIMITED. ALL DIMENSIONS ARE IN MILLIMETRES UNLESS OTHERWISE STATED.



WORKSTATION TYPES

-  COOLED DESK WORKSTATION-  
1500x1000mm
-  COOLED DESK WORKSTATION-  
1450x1000mm
-  NON COOLED STANDARD WORKSTATION-  
1400x800mm

NOTE

OVERHEAD SHELF TO BE PROVIDED ABOVE EVERY ARTIST WORKBENCHES REFER TO DWG 2445(76)308 FOR FURTHER DETAILS.  
ALL SETTING OUT OF PARTITIONS TO ARTIST STUDIOS TO BE REVIEWED IN CONJUNCTION WITH (72) SERIES DWGS TO ENSURE THERE IS SUFFICIENT SPACE TO ACCOMMODATE THE CHILLED DESKS WITHOUT COMPROMISING THE CORRIDOR WIDTHS.

CLIENT: DOUBLE NEGATIVE  
PROJECT: 160 GREAT PORTLAND STREET LONDON  
DRAWING: THIRD FLOOR FURNITURE LAYOUT

SCALE: A1 @ 1:100  
CAD FILE: 2445(72)103.dwg  
DRAWN: JA  
CHECKED: LA  
DRAWING NO.: 2445(72)103  
STATUS:  PRELIMINARY  
 TENDER  
 CONSTRUCTION  
 AS BUILT  
REV. C1



C1 05 04 12 CONSTRUCTION ISSUE  
REV DATE PURPOSE OF ISSUE  
BY